

# LED Auxiliary Lights - Model 832

## PRODUCT INFORMATION

---

<b>Description</b>	12-24V LED Auxiliary Light with Spot Beam Pattern
<b>Height</b>	154.94 mm / 6.1 in
<b>Width</b>	115.06 mm / 4.53 in
<b>Depth</b>	68.58 mm / 2.7 in
<b>Shape</b>	Square
<b>Outer Lens Material</b>	Polycarbonate
<b>Outer Lens Color</b>	Clear
<b>Housing Material</b>	Die-Cast Aluminum
<b>Housing Color</b>	Black
<b>Mounting Hardware Description</b>	(x1) 5/16"-18 x 0.58" Mounting Bolt
<b>Mounting Type</b>	Universal Pedestal Mount
<b>Minimum Operating Temperature</b>	-40 °C / -40 °F
<b>Maximum Operating Temperature</b>	65 °C / 149 °F
<b>Connector or Wiring</b>	Integrated 2-Pin Deutsch Weather-Proof Socket (DT04-2P)
<b>Mating Connector</b>	2-Pin Deutsch Weather-Proof Plug (DT06-2S)
<b>Product Weight</b>	1.82 lbs / 0.83 kgs
<b>Shipping Weight</b>	1.82 lbs / 0.83 kgs



---

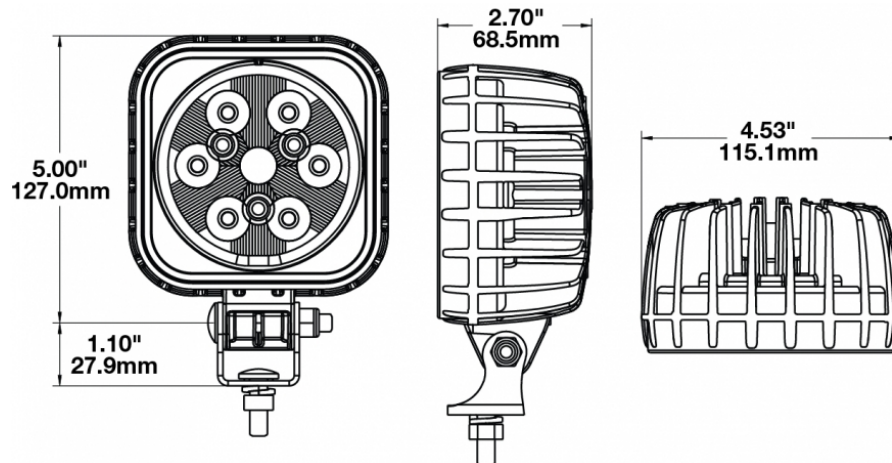
**Print date: 2024-08-11**

© 2024 J.W. Speaker Corporation • Germantown, WI U.S.A.  
www.jwspeaker.com • speaker@jwspeaker.com • 262.251.6660

**J.W. SPEAKER**   
Engineered. Lighting. Solutions.

# LED Auxiliary Lights - Model 832

## PRODUCT DIMENSIONS



## ELECTRICAL SPECIFICATIONS

<b>Input Voltage</b>	12-24V DC
<b>Operating Voltage</b>	10-32V DC
<b>Red Wire</b>	Positive
<b>Black Wire</b>	Negative
<b>Current Draw</b>	3.50A @ 12V DC 1.75A @ 24V DC

## REGULATORY STANDARDS COMPLIANCE



Buy America Standards  
IEC IP69K

Eco Friendly  
UL Recognized

Print date: 2024-08-11

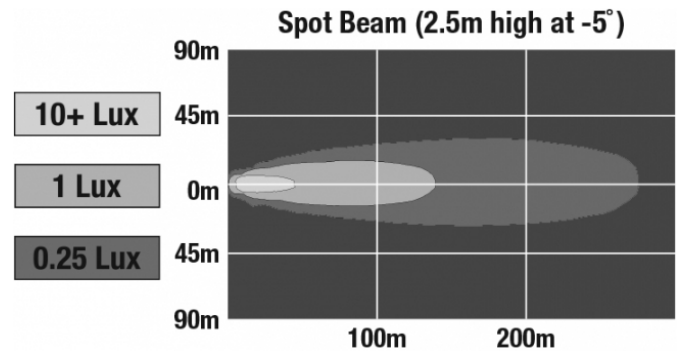
© 2024 J.W. Speaker Corporation • Germantown, WI U.S.A.  
www.jwspeaker.com • speaker@jwspeaker.com • 262.251.6660

**J.W. SPEAKER**  
Engineered. Lighting. Solutions.

# LED Auxiliary Lights - Model 832

## PHOTOMETRIC SPECIFICATIONS

Raw Lumen Output	3,900
Effective Lumen Output	2,500
Nominal LED Color Temperature	5700 K
Beam Pattern(s)	Forward Lighting - Spot



## APPLICATIONS



## PRODUCT WARNINGS

For California residents:

⚠️ **WARNING:** Cancer and reproductive harm - [www.P65Warnings.ca.gov](http://www.P65Warnings.ca.gov).

⚠️ **AVERTISSEMENT:** Cancer et effet nocif sur la reproduction - [www.P65Warnings.ca.gov](http://www.P65Warnings.ca.gov).

Print date: 2024-08-11

© 2024 J.W. Speaker Corporation • Germantown, WI U.S.A.  
[www.jwspeaker.com](http://www.jwspeaker.com) • [speaker@jwspeaker.com](mailto:speaker@jwspeaker.com) • 262.251.6660

**J.W. SPEAKER**  
 Engineered. Lighting. Solutions.

# LED Auxiliary Lights - Model 832

## ACCESSORIES

---



**Part Number**  
**8200491**

Mounting Kit For Work  
Lights

## RELATED PRODUCTS

---



**Part Number**  
**1300171**

12-24V LED Auxiliary  
Light with Trapezoid  
Beam Pattern



**Part Number**  
**1300181**

12-24V LED Auxiliary  
Light with Flood Beam  
Pattern



**Part Number**  
**1300611**

24V LED Auxiliary  
Light with Trapezoid  
Beam Pattern



**Part Number**  
**1300621**

24V LED Auxiliary  
Light with Flood Beam  
Pattern